



CS 110 (top) hat rail mountable



CS 110-W in wall mountable casing



The CS Power Meters are designed for easy installation and high accuracy. It measures the actual power consumption in kW and accumulates the Energy consumption in kWh of a 3-phase load. Additionally other measured parameters such as current, voltage, cos phi etc are available as well. Through 3 clamp sensors the current is sensed. Hat rail, wall mountable and portable versions are available.

| Technical Data | |
|----------------------------|---|
| Nominal voltage (L-N, L-L) | 277 / 480 VAC |
| Clamp sensor input range | 0 ... 1 A |
| Available clamp sensors | 200 A, 500 A, 1000 A |
| Power range | Up to 160 KW [depending on clamp sensor] |
| Accuracy | Voltage: 0.2% Current: 0.5% Clamp: class 1 Energy: class 0.5 |
| Output | Modbus/RTU |
| Supply | 24 V DC / 4 W |
| Operating Temperature | -5...+55°C |
| Dimensions | hat rail version: 110x90x31mm wall version: 190x155x85mm Portable: 177x177x60mm |

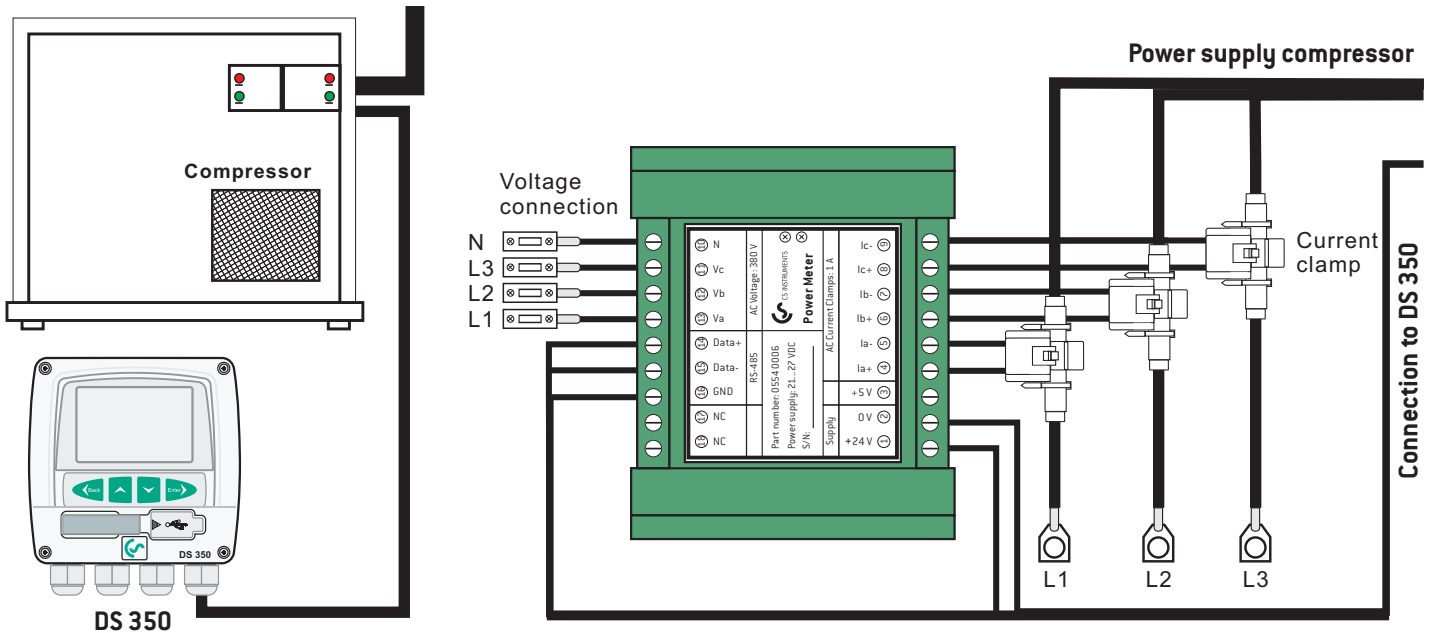


DS 350 / 330 can be used as stationary display of up to 16 power meters

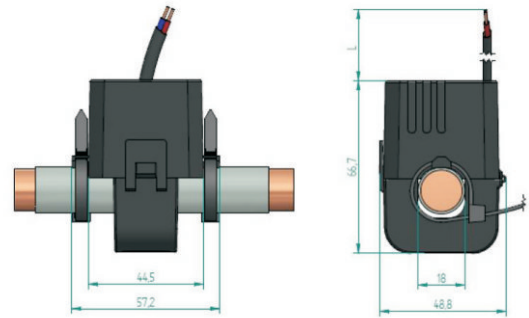


CS 110-P, for connection to DS 350-P

Installation



In above illustration a power meter is installed directly into the connection box of the compressor. The current clamps can be easily fixed with fasteners around the supply wires. The voltage connection can be drawn from other available connection points. A separate cable connects the CS power meter to the DS 3530/350 with Modbus/RTU and 24 VDC power supply. The power meter could also be installed into the connection cabinet where the power supply for the compressor is coming from. If no hat rail mounting is available, there is a wall mountable version of the CS power meter.



Current clamp sensor (right), easy snap on to isolated conductors

| Order no. | Description |
|-----------|--|
| 0554 0030 | Power meter, hat rail, Modbus/RTU |
| 0554 0033 | Power meter, Modbus/RTU, 24 VDC supply, wall mountable |
| 0554 0034 | Portable power meter, Modbus/RTU, including 4 test leads, 4 test clips, connection cable to DS 350-P |
| 0554 0040 | Current clamp sensor, 1.8m cable, 200/1A |
| 0554 0041 | Current clamp sensor, 1.8m cable, 500/1A |
| 0554 0042 | Current clamp sensor, 1.8m cable, 1000/1A |
| 0554 0061 | Current clamp sensor, 1.8m cable, 200/1A, ODU connector to CS 110-P |
| 0554 0062 | Current clamp sensor, 1.8 m cable, 500/1 A, ODU connector to CS 110-P |
| 0554 0063 | Current clamp sensor, 1.8 m cable, 1000/1 A, ODU connector to CS 110-P |
| 0554 0035 | Transport case DS 350-P for sensors and cables |

CS Instruments (Asia) Co., Ltd.

Room31, Cambridge Plaza, Tower B, 188 San Wan Road,
 Sheung Shui, N.T., Hong Kong.
 Tel.: +852 2328 9782
 Fax: +852 2542 1310
 E-mail: sales@csinstrument.com
 Web: www.csinstrument.com

Your local CS Agency

Photos are for reference only. Outlook of products are regulated by real object. Details of this instruction may be subjected to change without further notice. CS Instruments (Asia) reserves right of final explanation on above contents.